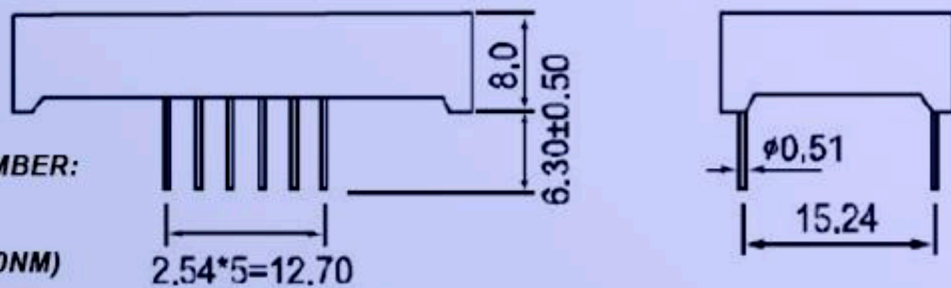
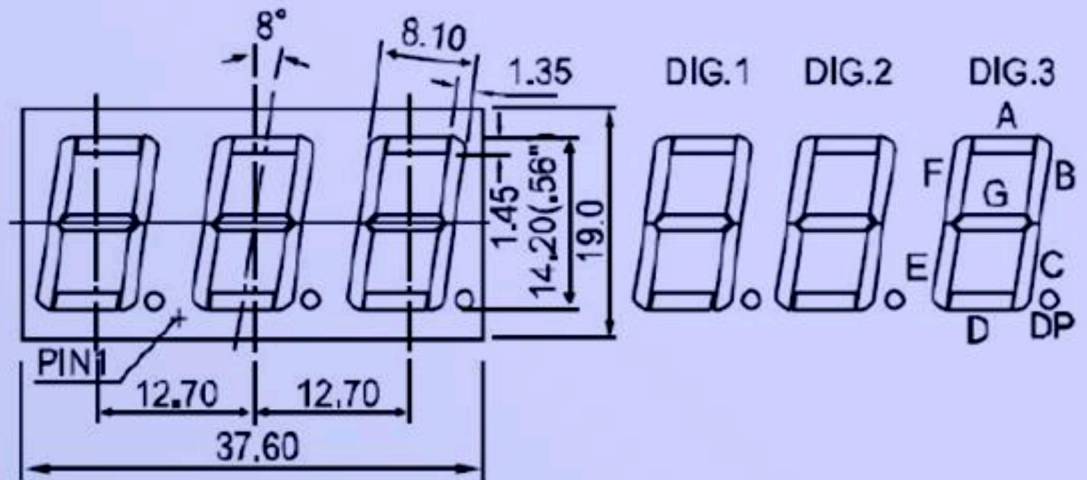


DISPLAY DE LED 3 DIGITO - CATODO

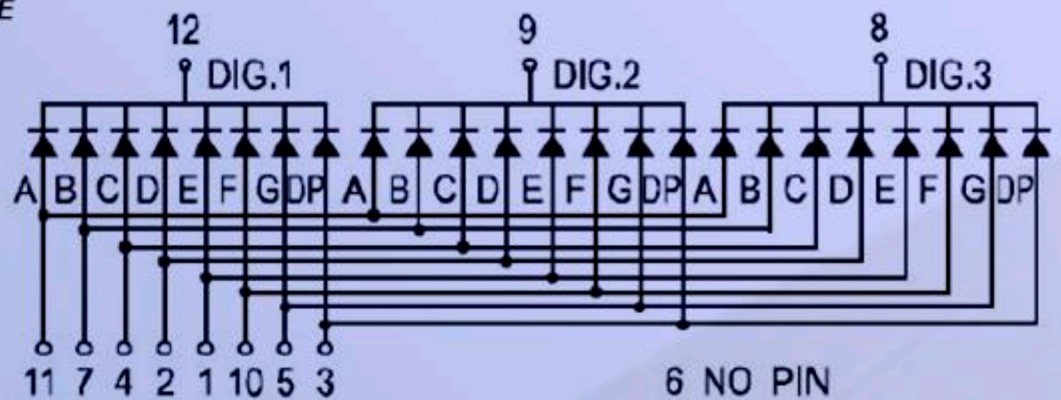
ESPECIFICAÇÕES TÉCNICAS:

1 2 3 4 5
 PART NUMBER: HSD-056HR3BW-C
 DIMENSÕES DO DISPLAY DE LED



DESCRIÇÃO DO PART NUMBER:

- 1: 0,56"
- 2: COR HIGH RED (620~630NM)
- 3: 3 DÍGITOS
- 4: MÁSCARA BLACK/WHITE
- 5: CATODO



NOTES : 1. All dimensions are in millimeters. (inches)

2. Tolerance is $\pm 0.25(0.010)$ unless otherwise specified.

DISPLAY DE LED 3 DIGITO - CATODO

ESPECIFICAÇÕES TÉCNICAS:

PART NUMBER: HSD-056HR3BW-C
DIMENSÕES DO DISPLAY DE LED

(Ta: 25°C) ABSOLUTE MAXIMUM RATINGS AT Ta=25°C:

PARAMETER	SYMBOL	RED	UNIT
Power Dissipation Per Segment	PAD	50	mW
Reverse Voltage Per Segment	VR	5	V
Continuous Forward Current Per Segment	IAF	20	mA
Peak Forward Current Per Segment(Duty-0.1, 1KHZ)	IPF	60	mA
Operating Temperature Range	TOPr	-20°C to 80°C	
Storage Temperature Range	Tstg	-30°C to 85°C	
Lead Soldering Temperature 260°C at 1.6mm From Body for 3 second			

(Ta: 25°C) ELECTRICAL/OPTICAL CHARACTERISTICS AT Ta=25°C:

PARAMETER	SYMBOL	TEST CONDITION	Color	MIN	TYP	MAX	UNIT
Forward Voltage ,Per Segment	VF	IF=20mA	RED	1.9	2	2.5	V
Reverse Current , Per Segment	IR	VR=5V	RED			50	µA
Peak Emission Wavelength	λp	IF=20mA	RED	630	633	637	nm
Luminous Intensity Per Segment	IV	IF=20mA	RED	23	25	28	mcd