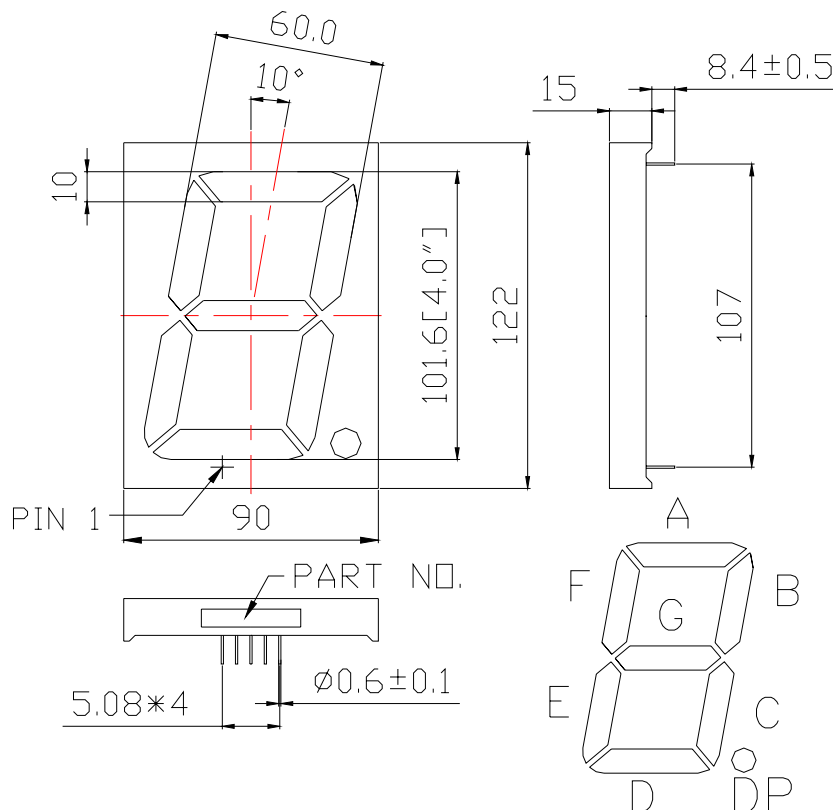


WCN1-00D0SR-A11S**SPECIFICATION**

| WCN | | | CUSTOMER Confirmed |
|--------------------|-------------------|--------------------|-------------------------------|
| Prepared by | Checked by | Approved by | |
| | | | |

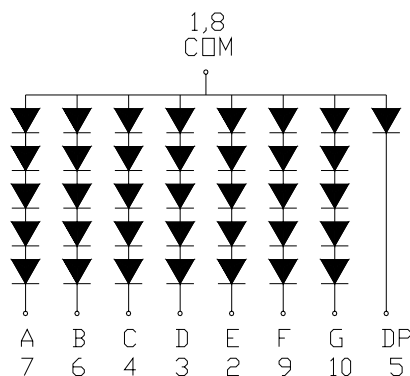
REVISION: 01

■ **Outer Dimension:**



Note: Unless otherwise stated , The tolerance is ± 0.25 mm.

■ **Circuit Diagram:**



■ **Pin Connection:**

| PIN NO. | CONNECTION | PIN NO. | CONNECTION |
|---------|--------------|---------|--------------|
| 1 | Common Anode | 6 | Cathode B |
| 2 | Cathode E | 7 | Cathode A |
| 3 | Cathode D | 8 | Common Anode |
| 4 | Cathode C | 9 | Cathode F |
| 5 | Cathode DP | 10 | Cathode G |

■ **Features:**

- High Reliability
- Color: Red
- Low Power Requirement
- Easy Assembly

■ **Description:**

- Single Digit LED Display
- Digit Height:101.2mm(4.0")
- Black Face and Milky Segment

■ **Absolute Maximum Rating (Ta=25°C):**

| Parameter | Symbol | Condition | Color | Rating | Units |
|----------------------------------|--------------|-----------------------|-------|------------|-------|
| Power Dissipation Per Segment/DP | P_d | — | Red | 265 / 52.5 | mW |
| Forward Current Per Segment | I_F | — | Red | 25 | mA |
| Derating Of If Per Segment | ΔI_F | $T_a \geq 25^\circ C$ | Red | 0.30 | mA/°C |
| Peak Forward Current Per Segment | I_{FP} | 1/10 Duty 10KHz | Red | 100 | mA |
| Reverse Voltage Per Segment/DP | V_R | — | Red | 25/5 | V |
| Operating Temperature Range | Topr | — | — | -35~+85 | °C |
| Storage Temperature Range | Tstg | — | — | -35~+85 | °C |

■ **Electrical/Optical Characteristics Rating(Ta=25°C):**

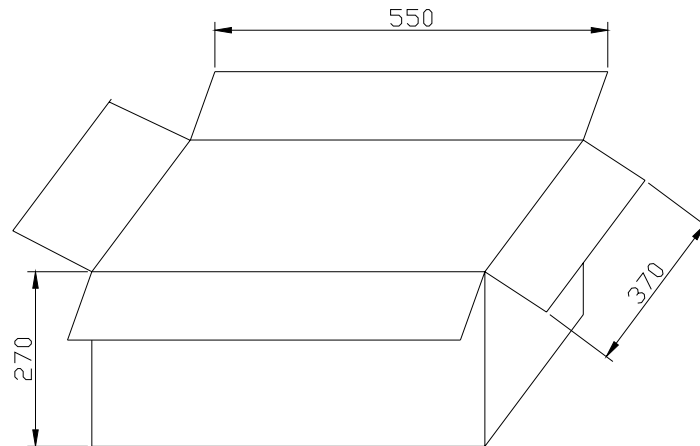
| Item | Symbol | Test conditions | Location | Rating | | | Units |
|--|------------------|-----------------|-------------|--------|------|-------|---------|
| | | | | Min. | Typ. | Max. | |
| Forward Voltage | V_F | $I_F=20mA$ | Per Segment | — | 9.25 | 10.50 | V |
| | | | DP | | 1.85 | 2.10 | |
| Reverse Current | I_R | $V_R=25V$ | Per Segment | — | — | 100 | μA |
| | | $V_R=5V$ | DP | | | | |
| Luminous Intensity | I_V | $I_F=10mA$ | Per Segment | 8.0 | 15.0 | — | mcd |
| Wave Length | λ_P | $I_F=20mA$ | Per Segment | — | 660 | — | nm |
| | λ_D | | | | 643 | | |
| Spectral Line Half Width | $\Delta \lambda$ | $I_F=20mA$ | Per Segment | — | 20 | — | nm |
| Luminous Intensity Matching Ratio (Segment to Segment) | I_{v-m} | $I_F=10mA$ | — | — | — | 2:1 | |

■ **Luminous Intensity Sorting: (Luminous Intensity Tolerance is +/-10%)**

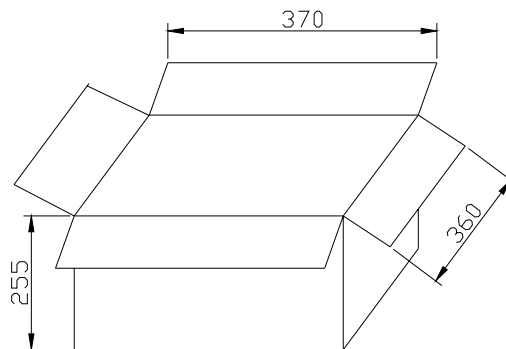
| Rank | Symbol | Condition | Min | Max | Unit |
|------|--------|------------|-------|-------|------|
| L | L | $I_F=10mA$ | 8.0 | 12.56 | mcd |
| M | M | $I_F=10mA$ | 12.56 | 20.0 | mcd |
| N | N | $I_F=10mA$ | 20.0 | 32.0 | mcd |

■ **Soldering Conditions: Soldering Temp. $\leq +260^\circ C$, Soldering Time. $\leq 3sec$.**

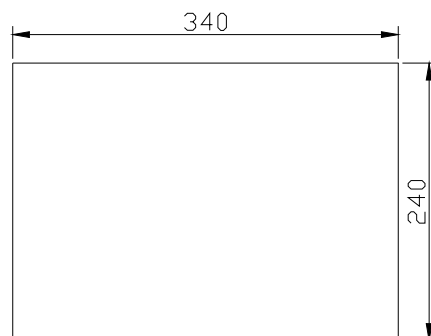
(at 2mm Distance from The Case of Reflector Edge)

■ Outer Carton Dimension:

- Note:**
1. An Outer carton contained two Inner cartons and 108PCS products.
 2. Unless otherwise stated , The tolerance is +5mm / -0mm.
 3. The carton material is A=A Brown Paper.

■ Inner Carton Dimension:

- Note:**
1. An Inner carton contained 9PCS Foam Board and 54PCS products.
 2. Unless otherwise stated , The tolerance is ± 2 mm.
 3. The carton material is B=B Paper.

■ Foam Board Dimension:

- Note:**
1. A Foam Board contained 6PCS products.
 2. Unless otherwise stated , The tolerance is ± 2 mm.