

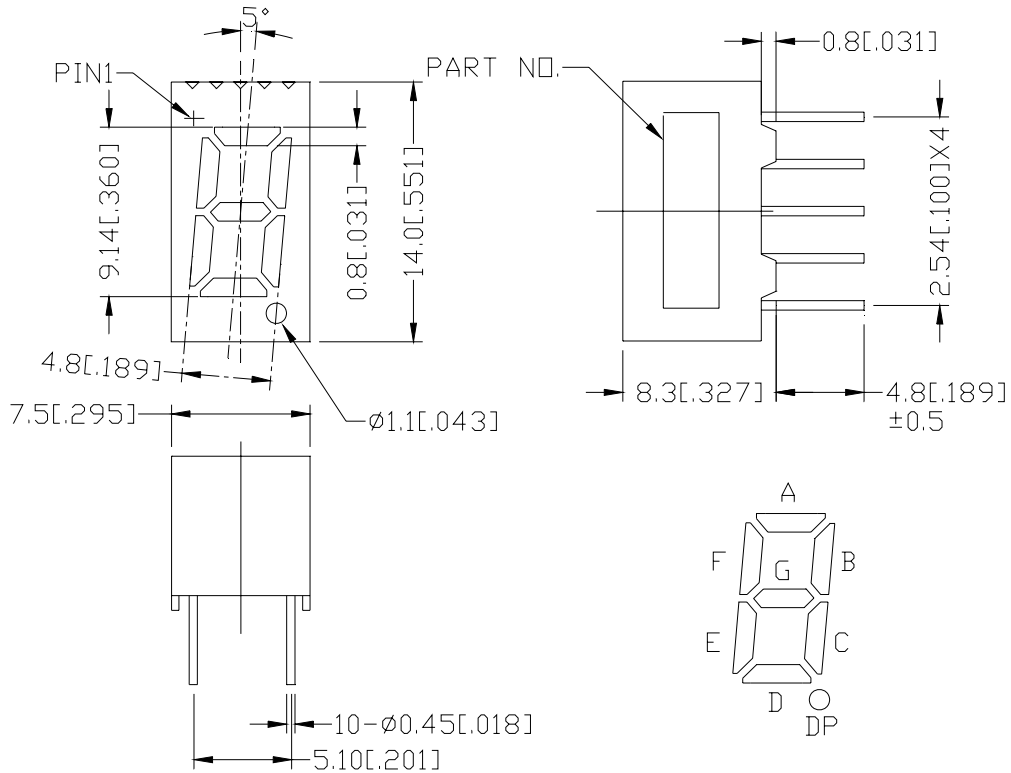
**WCN1-1036SR-A11U****SPECIFICATION**

WCN			CUSTOMER
<b>NOTE:</b>			



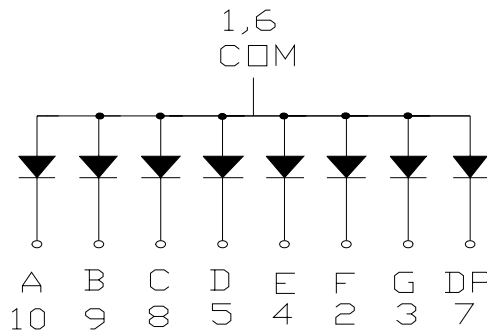
REVISION: 01

### Outer Dimension:



Notes: Unless otherwise stated, The tolerance is  $\pm 0.25$ mm.

### Circuit Diagram:



### Pin Connection:

PIN NO.	CONNECTION	PIN NO.	CONNECTION
1	Common Anode	6	Common Anode
2	Cathode F	7	Cathode DP
3	Cathode G	8	Cathode C
4	Cathode E	9	Cathode B
5	Cathode D	10	Cathode A

■ **Features:**

- High Reliability
- Color: Red
- Low Power Requirement
- Easy Assembly

■ **Description:**

- Single Digit LED Display
- Digit Height:9.14mm(0.36" )
- Gray Face and Encapsulation With Milky Segment

■ **Absolute Maximum Rating (Ta=25°C):**

Parameter	Symbol	Condition	Color	Rating	Units
Power Dissipation Per Segment	P <sub>d</sub>	—	Red	50	mW
Forward Current Per Segment	I <sub>F</sub>	—	Red	25	mA
Derating Of If Per Segment	ΔI <sub>F</sub>	Ta ≥ 25°C	Red	0.30	mA/°C
Peak Forward Current Per Segment	I <sub>FP</sub>	1/10 Duty 10KHz	Red	100	mA
Reverse Voltage Per Segment	V <sub>R</sub>	—	Red	5	V
Operating Temperature Range	Topr	—	—	-35~+85	°C
Storage Temperature Range	Tstg	—	—	-35~+85	°C

■ **Electrical/Optical Characteristics Rating(Ta=25°C)**

Item	Symbol	Test conditions	Location	Color	Rating			Units
					Min.	Typ.	Max.	
Forward Voltage	V <sub>F</sub>	I <sub>F</sub> =20mA	Per Segment	Red	—	1.8	2.4	V
Reverse Current	I <sub>R</sub>	V <sub>R</sub> =5V	Per Segment	Red	—	—	100	μA
Luminous Intensity	I <sub>V</sub>	I <sub>F</sub> =10mA	Per Segment	Red	2001	4500	—	μcd
Wave Length	λ <sub>P</sub>	I <sub>F</sub> =20mA	Per Segment	Red	—	660	—	nm
	λ <sub>D</sub>					643		
Spectral Line Half Width	Δλ	I <sub>F</sub> =20mA	Per Segment	Red	—	20	—	nm
Luminous Intensity Matching Ratio (Segment to Segment)	I <sub>v-m</sub>	I <sub>F</sub> =10mA					2:1	

■ **Luminous Intensity Sorting: (Luminous intensity tolerance : +/-10%)**

Rank	Symbol	Condition	Min	Max	Unit
I	I	I <sub>F</sub> =10mA	2001	3200	μcd
J	J	I <sub>F</sub> =10mA	3201	5050	μcd
K	K	I <sub>F</sub> =10mA	5051	8000	μcd

■ **Soldering Conditions: Soldering Temp. ≤ +260°C Soldering Time. ≤ 3sec.**

(at 2mm Distance from The Case of Reflector Edge)