



World Components Network Service Ltd

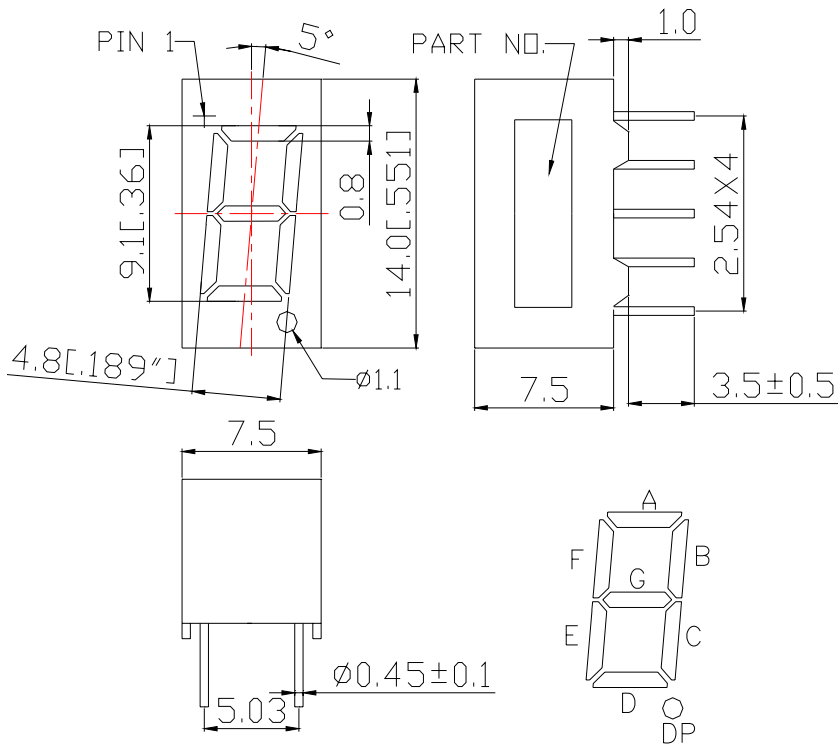
WCN1-1036SR-C11U

SPECIFICATION

WCN			CUSTOMER
NOTE:			

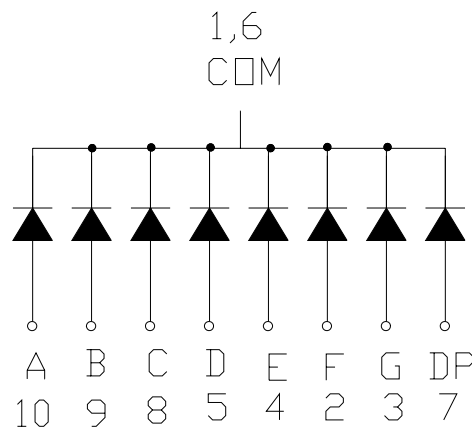
REVISION: 01

Outer Dimension:



Notes: Unless otherwise stated, The tolerance is ± 0.25 mm.

Circuit Diagram:



Pin Connection:

PIN NO.	CONNECTION	PIN NO.	CONNECTION
1	Common Cathode	6	Common Cathode
2	Anode F	7	Anode DP
3	Anode G	8	Anode C
4	Anode E	9	Anode B
5	Anode D	10	Anode A

■ **Features:**

- High Reliability
- Color: Red
- Low Power Requirement
- Easy Assembly

■ **Description:**

- Single Digit LED Display
- Digit Height:9.14mm(0.36")
- Gray Face and Encapsulation With Milky Segment

■ **Absolute Maximum Rating (Ta=25°C):**

Parameter	Symbol	Condition	Color	Rating	Units
Power Dissipation Per Segment	P _d	—	Red	50	mW
Forward Current Per Segment	I _F	—	Red	25	mA
Derating Of If Per Segment	ΔI _F	Ta ≥ 25°C	Red	0.30	mA/°C
Peak Forward Current Per Segment	I _{FP}	1/10 Duty 10KHz	Red	100	mA
Reverse Voltage Per Segment	V _R	—	Red	5	V
Operating Temperature Range	Topr	—	—	-35~+85	°C
Storage Temperature Range	Tstg	—	—	-35~+85	°C

■ **Electrical/Optical Characteristics Rating(Ta=25°C)**

Item	Symbol	Test conditions	Location	Color	Rating			Units
					Min.	Typ.	Max.	
Forward Voltage	V _F	I _F =20mA	Per Segment	Red	—	1.80	2.00	V
Reverse Current	I _R	V _R =5V	Per Segment	Red	—	—	100	μA
Luminous Intensity	I _V	I _F =10mA	Per Segment	Red	2001	4500	—	μcd
Wave Length	λ _P	I _F =20mA	Per Segment	Red	—	660	—	nm
	λ _D					643		
Spectral Line Half Width	Δλ	I _F =20mA	Per Segment	Red	—	20	—	nm
Luminous Intensity Matching Ratio (Segment to Segment)	I _{v-m}	I _F =10mA	—	—	—	—	2:1	

■ **Luminous Intensity Sorting: (Luminous intensity tolerance :+/-10%)**

Rank	Symbol	Condition	Min	Max	Unit
I	I	I _F =10mA	2001	3200	μcd
J	J	I _F =10mA	3201	5050	μcd
K	K	I _F =10mA	5051	8000	μcd

■ **Soldering Conditions: Soldering Temp. ≤ +260°C; Soldering Time. ≤ 3sec.**
 (at 2mm Distance from The Case of Reflector Edge)