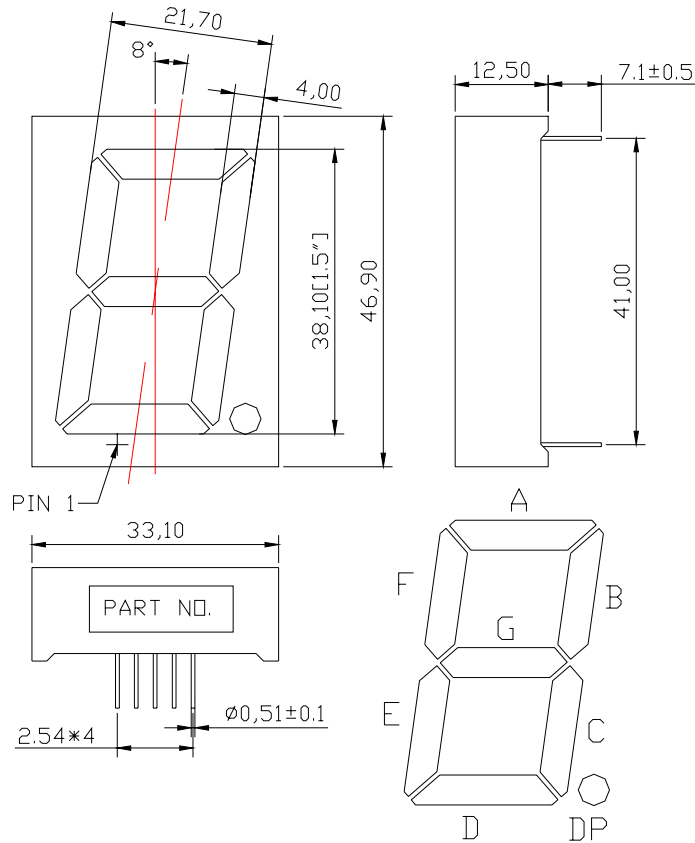


WCN1-10A5SR-C62**SPECIFICATION**

WCN			CUSTOMER Confirmed
Prepared by	Checked by	Approved by	
LIU 2013-3-26	Athena		

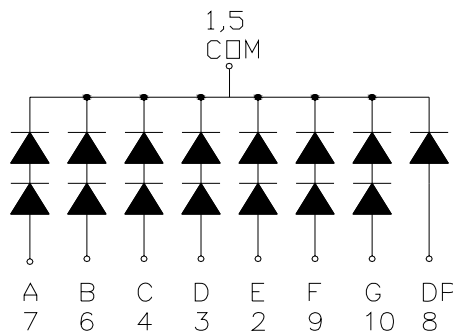


■ **Outer Dimension:**



Note: Unless otherwise stated , The tolerance is ± 0.25 mm.

■ **Circuit Diagram:**



■ **Pin Connection**

PIN NO.	CONNECTION	PIN NO.	CONNECTION
1	Common Cathode	6	Anode B
2	Anode E	7	Anode A
3	Anode D	8	Anode DP
4	Anode C	9	Anode F
5	Common Cathode	10	Anode G

World Components Network Service Ltd

■ Features:

- . High Reliability
- . Color: Red
- . Low Power Requirement
- . Easy Assembly

■ Description:

- . Single Digit LED Display
- . Digit Height:38.1mm(1.5")
- . Grey Face and Milky Segment

■ Absolute Maximum Rating (Ta=25°C):

Parameter	Symbol	Condition	Color	Rating	Units
Power Dissipation Segment/DP	P _d	—	Red	120/60	mW
Forward Current Segment	I _F	—	Red	25	mA
Derating Of If Per Segment	△I _F	Ta ≥ 25°C	Red	0.30	mA/°C
Peak Forward Current Per Segment	I _{FP}	1/10 Duty 10KHz	Red	100	mA
Reverse Voltage Per Segment/DP	V _R	—	Red	10/5V	V
Operating Temperature Range	Topr	—	Red	-35~+85	°C
Storage Temperature Range	Tstg	—	Red	-35~+85	°C

■ Electrical/Optical Characteristics Rating(Ta=25°C): (Luminous intensity tolerance : +/-10%)

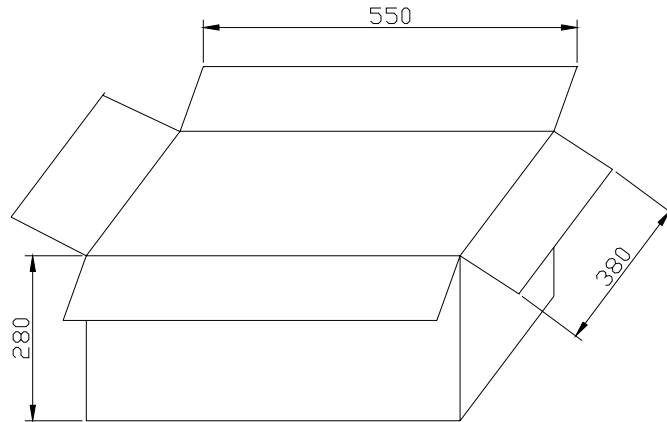
Item	Symbol	Test conditions	Location	Rating			Units
				Min.	Typ.	Max.	
Forward Voltage	V _F	I _F =20mA	Per Segment/DP	—	3.8/1.9	4.8/2.4	V
Reverse Current	I _R	V _R =10V/5V	Per Segment/DP	—	—	100	μA
Luminous Intensity	I _V	I _F =10mA	Per Segment	8.5	11.0	15.25	mcd
Wave Length	λ _P	I _F =20mA	Per Segment	—	635	—	nm
	λ _D				630		
Spectral Line Half Width	△λ	I _F =20mA	Per Segment	—	20	—	nm
Luminous Intensity Matching	I _{v-m}	I _F =10mA				2:1	

■ Luminous Intensity Sorting: (Luminous Intensity Tolerance is +/-10%)

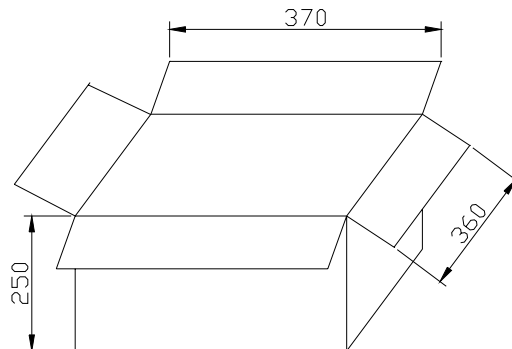
Rank	Symbol	Condition	Min	Max	Unit
Q	Q	I _F =10mA	8.501	10.5	mcd
R	R	I _F =10mA	10.501	12.8	mcd
S	S	I _F =10mA	12.801	15.25	mcd

■ Soldering Conditions: Soldering Temp. ≤ +260°C, Soldering Time. ≤ 3sec.

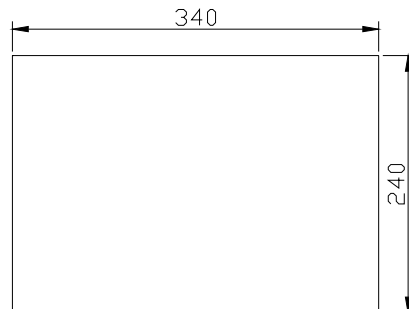
(at 2mm Distance from The Case of Reflector Edge)

Outer Carton Dimension:

- Note: 1. An Outer carton contained two Inner cartons and 880 PCS products.**
2. Unless otherwise stated, the tolerance is +5mm / -0mm.
3. The carton material is A=B Brown Paper.

Inner Carton Dimension:

- Note: 1. An Inner carton contained 9 PCS Foam Board and 440 PCS products.**
2. Unless otherwise stated, the tolerance is ± 2 mm.
3. The carton material is B=B Paper.

Foam Board Dimension:

- Note: 1. A Foam Board contained 49 PCS products.**
2. Unless otherwise stated, the tolerance is ± 2 mm.