

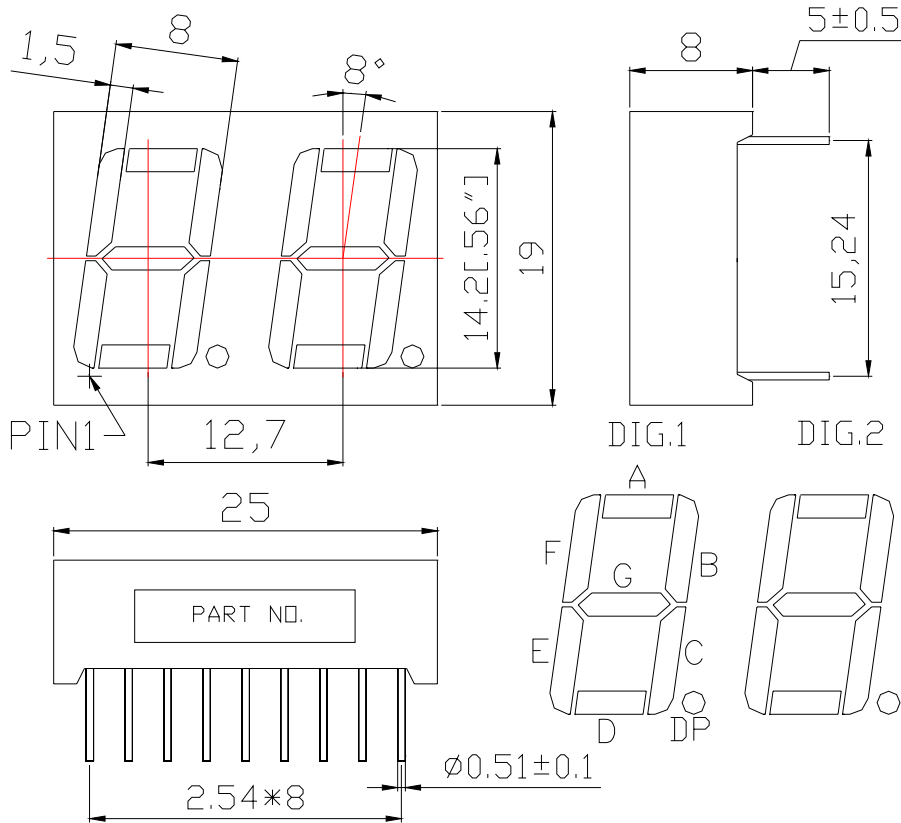
# **WCN2-1056SR-A16R**

## **SPECIFICATION**

<b>WCN</b>			<b>CUSTOMER Confirmed</b>
<b>Prepared by</b>	<b>Checked by</b>	<b>Approved by</b>	
<b>Liu</b>	<b>Athena 2012-11-7</b>		

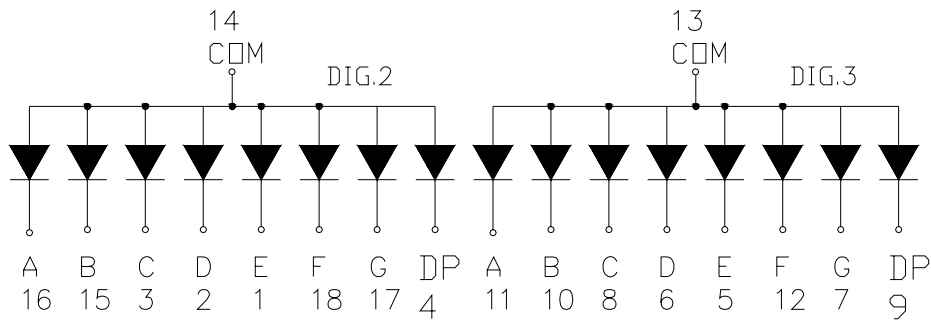
**REVISION: A0**

**Outer Dimension:**



Notes: Unless otherwise stated, The tolerance is  $\pm 0.25$ mm.

**Circuit Diagram**



**Pin Connection:**

PIN NO.	CONNECTION	PIN NO.	CONNECTION	PIN NO.	CONNECTION
1	Cathode 1E	7	Cathode 2G	13	Common Anode Dig2
2	Cathode 1D	8	Cathode 2C	14	Common Anode Dig1
3	Cathode 1C	9	Cathode DP2	15	Cathode 1B
4	Cathode DP1	10	Cathode 2B	16	Cathode 1A
5	Cathode 2E	11	Cathode 2A	17	Cathode 1G
6	Cathode 2D	12	Cathode 2F	18	Cathode 1F

## ■ Features:

- High Reliability
- Color: Red
- Low Power Requirement
- Easy Assembly

## ■ Description:

- Dual Digit LED Display
- Digit Height: 14.2 mm (0.56" )
- Gray Face and Milky Segment

## ■ Absolute Maximum Rating (Ta=25°C):

Parameter	Symbol	Condition	Color	Rating	Units
Power Dissipation Per Segment	$P_d$	—	Red	65	mW
Forward Current Per Segment	$I_F$	—	Red	25	mA
Derating Of If Per Segment	$\Delta I_F$	$T_a \geq 25^\circ C$	Red	0.30	mA/°C
Peak Forward Current Per Segment	$I_{FP}$	1/10 Duty 10KHz	Red	100	mA
Reverse Voltage Per Segment	$V_R$	—	Red	5	V
Operating Temperature Range	$T_{opr}$	—	—	-35~+85	°C
Storage Temperature Range	$T_{stg}$	—	—	-35~+85	°C

## ■ Electrical/Optical Characteristics Rating(Ta=25°C)

Item	Symbol	Test conditions	Location	Rating			Units
				Min.	Typ.	Max.	
Forward Voltage	$V_F$	$I_F=20mA$	Per Segment	—	2.10	2.60	V
Reverse Current	$I_R$	$V_R=5V$	Per Segment	—	—	100	$\mu A$
Luminous Intensity	$I_V$	$I_F=10mA$	Per Segment	5.05	10.00	—	mcd
Peak Emission Wave Length	$\lambda_P$	$I_F=20mA$	Per Segment	—	645	—	nm
	$\lambda_D$				638		
Spectral Line Half Width	$\Delta \lambda$	$I_F=20mA$	Per Segment	—	20	—	nm
Luminous Intensity Matching Ratio (Segment to Segment)	$I_{v-m}$	$I_F=10mA$	—	—	—	2:1	

## ■ Luminous Intensity Sorting: (Luminous Intensity Tolerance is +/-10%)

Rank	Symbol	Condition	Min	Max	Unit
K	K	$I_F=10mA$	5.05	8.00	mcd
L	L	$I_F=10mA$	8.00	12.56	mcd
M	M	$I_F=10mA$	12.56	20.00	mcd

## ■ Soldering Conditions: Soldering Temp. $\leq +260^\circ C$ , Soldering Time. $\leq 3sec$ .

(at 2mm Distance from The Case of Reflector Edge)