

0.25 Inch Three Digit Display
OSL30251-IX (Common Anode type)
OSL30251-LX (Common Cathode type)

■ **Features**

- 0.25 Inch Three Digit Display
- Long lifetime operation
- IC compatible
- Low power dissipation
- Black surface & white segment or dot

■ **Applications**

- Counting device
- Clock

■ **Absolute Maximum Rating (Ta=25°C)**

Item	Symbol	Value		Unit
		RA/R/YG/Y	B/G/W	
DC Forward Current	I _F	20	20	mA
Pulse Forward Current*	I _{FP}	100	100	mA
Reverse Voltage	V _R	5	5	V
Power Dissipation	P _t	44	66	mW
Operating Temperature	T _{opr}	-30 ~ +70		°C
Storage Temperature	T _{stg}	-40~ +85		°C
Lead Soldering Temperature(1.6mm from seating plane)	T _{sol}	260°C/5sec		°C

*Pulse width Max.10ms Duty ratio max 1/10

■ **Electrical -Optical Characteristics (Ta=25°C)**

Part Number	Color		V _F (V)			I _R (μA)	I _v (mcd)			λD(nm)		
			Min.	Typ.	Max.	Max.	Min.	Typ.	Max.	Min.	Typ.	Max.
			I _F =20mA			V _R =5V	I _F =20mA					
OSL30251-IW(LW)	White	W	-	3.3	3.5	20	-	65	-	X=0.27 · Y=0.28		
OSL30251-IB(LB)	Blue	B	■	3.3	3.5	20	-	65	-	-	470	-
OSL30251-IG(LG)	Pure Green	G	■	3.3	3.5	20	-	189	-	-	525	-
OSL30251-IYG(LYG)	Yellow Green	YG	■	2.2	2.4	20	-	12	-	-	571	-
OSL30251-IY(LY)	Yellow	Y	■	2.1	2.5	20	-	55	-	-	590	-
OSL30251-IR(LR)	Red	R	■	2.1	2.5	20	-	26	-	-	630	-
OSL30251-IRA(LRA)	High Luminance Red	RA	■	2.1	2.5	20	-	130	-	-	623	-

*1 Tolerance of dominant wavelength is ±1nm

*2 Tolerance of luminous intensity is ±15%

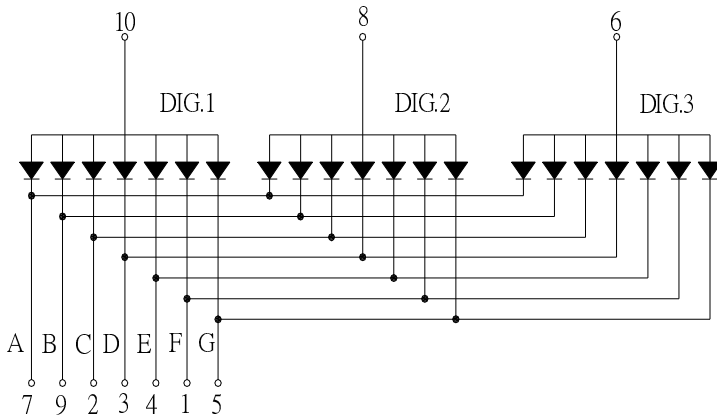
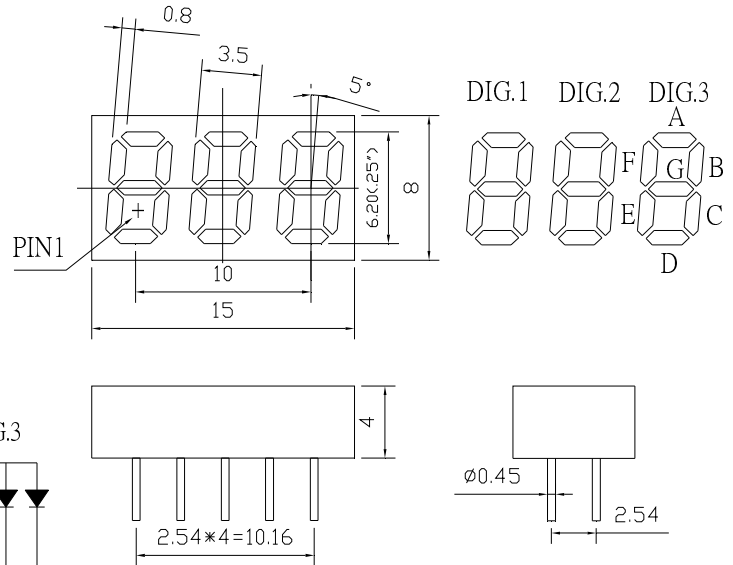
■ Package Dimensions and Pin Function

**OSL30251-IX
(Common Anode type)**

Note:

1, Unit : mm (Tolerance: ± 0.25 mm unless otherwise noted)

2, The slope angle of any PIN may be $\pm 5.0^\circ$ Max



**OSL30251-LX
(Common Cathode type)**

Note:

1, Unit : mm (Tolerance: ± 0.25 mm unless otherwise noted)

2, The slope angle of any PIN may be $\pm 5.0^\circ$ Max

