

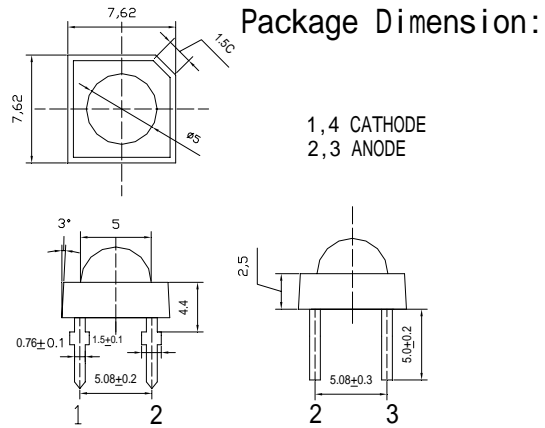
■Features

- Super Flux LEDs with 5mm Lens
- Water Clear Type
- Wide Viewing Angle
- UV Resistant Epoxy
- Superior Weather-resistance

■Applications

- Automotive Dashboard Lighting
- Black Light Application

■Outline Dimension

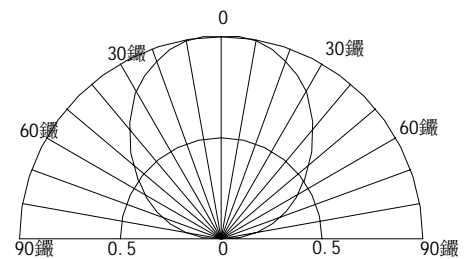


■Absolute Maximum Rating (Ta=25 °C)

Item	Symbol	Value	Unit
DC Forward Current	I_F	70	mA
Pulse Forward Current*	I_{FP}	200	mA
Reverse Voltage	V_R	5	V
Power Dissipation	P_D	150	mW
Operating Temperature	T_{opr}	-40 ~ +85	
Storage Temperature	T_{stg}	-40 ~ +100	
Lead Soldering Temperature	T_{sol}	260 /5sec	-

*Pulse width Max.10ms Duty ratio max 1/10

■Directivity



■Electrical -Optical Characteristics (Ta=25 °C)

Item	Symbol	Condition	Min.	Typ.	Max.	Unit
DC Forward Voltage	V_F	$I_F=70mA$	1.8	2.0	2.4	V
DC Reverse Current	I_R	$V_R=5V$	-	-	10	μA
Domi. Wavelength	λ_D	$I_F=70mA$	585	590	595	nm
Luminous Intensity	I_v	$I_F=70mA$	2180	2500	3000	mcd
50% Power Angle	$2\theta_{1/2}$	$I_F=70mA$	-	120	-	deg