

Varistor Type MYG

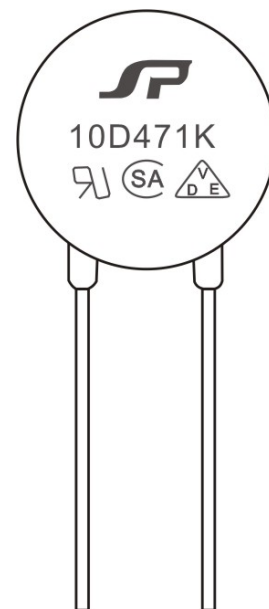
Type MYG Varistors are made of semiconductor ceramic materials composed mainly of zinc oxide. They have non-linear resistance that changes as a function of applied voltage. It has small size, high current capacity, and high protection level.

Features

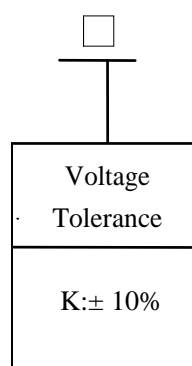
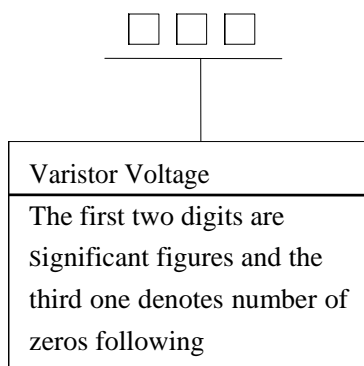
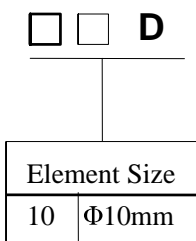
- > Wide Varistor voltage range (18V~1100V)
- > Excellent non-linearity and protection level
- > Large withstanding surge current
- > Fast response ($\leq 20\text{ns}$)

Recommended Applications

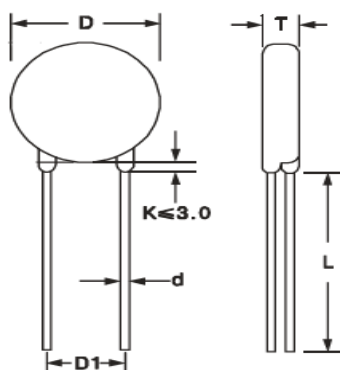
- > Protection of semiconductors
- > Surge protection of consumer equipment
- > Surge protection of communication, measuring or controller instrument
- > Relay or electromagnetic Valve surge absorption



Explanation of Part Numbers



Dimension



Range of voltage (V)	Dimensions(mm)				
	D max	T max	L min	d±0.1	D1±1.0
18 - 68	13.5	3.6~5.4	25	0.8	7.5
81 - 1100	13.5	4.3~9.7	25	0.8	7.5

Specification and Electrical Characteristics

Part Number	Maximum Allowable Voltage		Maximum Energy	Withstanding Surge Current 8/20 μ s		Rated Wattage	Varistor Voltage	Maximum Clamping Voltage
	Acrms (V)	DC (V)	10/100 μ S (J)	1 time	2times			
				(A)		(W)	V _{1mA} (V)	V _{25A} (V)
10D112K	680	895	133.0	2500	1250	0.4	1100(990-1210)	1815
10D102K	625	825	133.0				1000(900-1100)	1650
10D911K	550	745	133.0				910(819-1001)	1500
10D821K	510	670	124.6				820(738-902)	1355
10D781K	485	640	124.6				780(702-858)	1290
10D751K	460	615	124.6				750(675-825)	1240
10D681K	420	560	102.2				680(612-748)	1120
10D621K	385	505	102.2				620(558-682)	1025
10D561K	350	460	99.4				560(504-616)	920
10D511K	320	415	99.4				510(459-561)	845
*10D471K	300	385	99.4				470(423-517)	775
10D431K	275	350	88.2				430(387-473)	710
10D391K	250	320	81.2				390(351-429)	650
10D361K	230	300	74.2				360(324-396)	595
10D331K	210	275	68.6				330(297-363)	550
10D301K	190	250	63.0				300(270-330)	505
*10D271K	175	225	57.4				270(243-297)	455
10D241K	150	200	50.4				240(216-264)	395
10D221K	140	180	46.2				220(198-242)	360
10D201K	130	170	42.0				200(180-220)	330
10D181K	115	150	30.8				180(162-198)	300
10D151K	95	125	25.2				150(135-165)	250
10D121K	75	100	21.0				120(108-132)	200
10D101K	60	85	18.2				100(90-110)	165
*10D820K	50	65	16.8				82(74-90)	135
10D680K	40	56	15.4	68(61-75)	*135			
10D560K	35	45	12.9	56(50-62)	*110			
*10D470K	30	38	10.8	47(42-52)	*93			
10D390K	25	31	9.1	39(35-43)	*77			
10D330K	20	26	7.4	33(30-36)	*65			
10D270K	17	22	6.0	27(24-30)	*53			
10D220K	14	18	4.5	22(20-24)	*43			
10D180K	11	14	2.8	18(15-21)	*38			

- Note:**
- 1、* Stand for commonly used models
 - 2、Varistor voltage is measured at 0.1 mA for 05D, and at 1 mA for 07D, 10D, 14D, 20D, respectively.
 - 3、Operating Temperature Range: $-40^{\circ}\text{C} \sim +85^{\circ}\text{C}$
Storage Temperature Range: $-40^{\circ}\text{C} \sim +125^{\circ}\text{C}$