

# BXXXXS-1W SERIES DC-DC CONVERTER

## Features:

**SIP4 PACKAGE**

**Single Output**

**Industrial Standard PIN-out**

**No Heat Sink Required**

**1000VDC Isolation**

**Fixed Input**

**Unregulated Output**

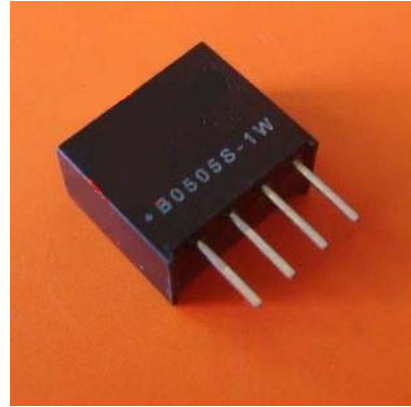
**PCB Mounted**

**Input Voltage: 5V/12/15/24 VDC**

**Output Voltage: 3.3/5/9/12/15/18/24VDC**

**Input Range: ±10%**

**Filter: Ceramic capacitor**



## OUTPUT SPECIFICATIONS

Items:	Testing condition	Min	Typ	Max
Output Accuracy:	At full load and nominal Vin			±5%
Line Regulation:	For Vin change of 1%			+/- 1.2 %
Load Regulation:	From 20% to full load			+/- 8 %
Ripple And Noise:	20MHz bandwidth			100 mV p-p
Temperature Drift:				±0.02 %/°C
Switching Frequency			80KHz	
Short Circuit Protection	Momentary(<1S)			

All specifications measured at TA=25° C, humidity<75%, nominal input voltage and rated output load unless otherwise specified.

## COMMON SPECIFICATIONS

Items	Testing condition	Min	Typ.	Max
Operating Temperature Range		-40°C		+85°C
Storage Temperature Range		-55°C		+125°C
Humidity				<90%
Cooling	Free Air Convection			
Isolation Voltage (VDC)	Input to Output		1,000	
Isolation Resistance (Ohms)			10 <sup>9</sup>	
Isolation Capacitance (pf)				30
Leak Current	1mA			
Efficiency (%)	See Product List	70	85	
Case Material	Non-conductive black plastic			
Potting Material	Epoxy Resin UL94-V0			
Packing Material	Tube			
Dimension (mm / inch) (L*W*H)	SIP: 11.7*6.00*10 (0.46*0.24*0.40)			
Weight (g)	1.8			
MTBF (Hrs)	>1,000,000			

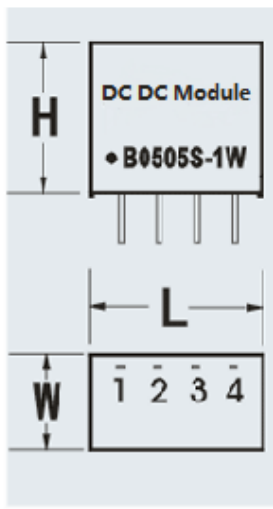
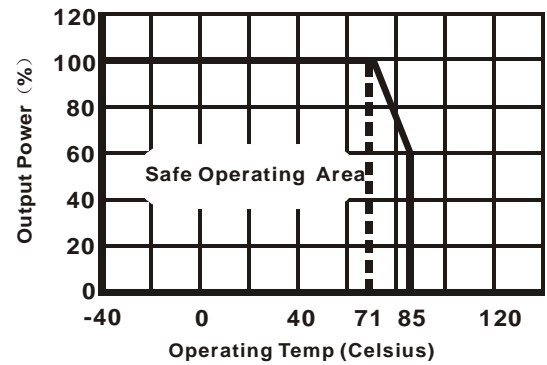
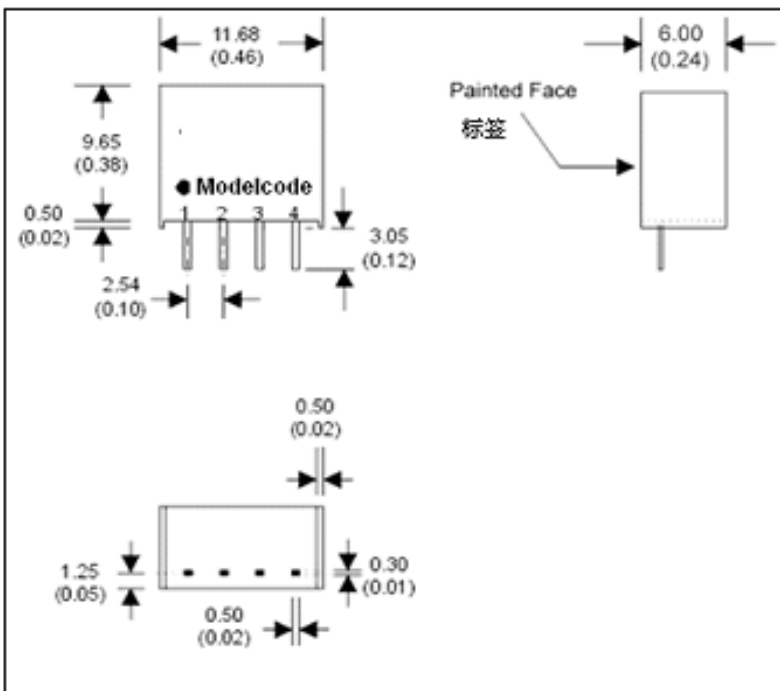
## BXXXXS-1W SERIES DC-DC CONVERTER

Part No.	Vin(VDC)	Iin (No-load)(mA)	Iin (Full-load)(mA)	Vout (VDC)	Iout (max.mA)	Eff. (%TYPE)
B0503S-1W	5	14	363	3.3	303	72
B0505S-1W	5	16	266	5	200	75
B0512S-1W	5	18	254	12	84	70
B1205S-1W	12	11	119	5	200	70
B1212S-1W	12	10	104	12	84	80
B1215S-1W	12	15	107	15	68	78
B2405S-1W	24	5	55	5	200	75
B2412S-1W	24	7	54	12	84	77
B2415S-1W	24	8	55	15	76	76

If need other input and output, please specified.

### PCB Diagram and Footprint Function

### TEMPERATURE GRAPH



PIN	Function	
1	GND	Input
2	+Vin	Input
3	0V	Output
4	+Vo	Output

\* Design and specifications to change without notice.