

Datasheet

FS8205A

Dual N-Channel Enhancement Mode Power MOSFET

FORTUNE,
Properties,
For Reference Only

Fortune Semiconductor Corporation

富晶電子股份有限公司

23F, No. 29-5, Sec. 2, Zhongzheng E. Rd.,
Danshui Dist, New Taipei City 251, Taiwan

Tel. : 886-2-28094742

Fax : 886-2-28094874

www.ic-fortune.com

This manual contains new product information. **Fortune Semiconductor Corporation** reserves the rights to modify the product specification without further notice. No liability is assumed by **Fortune Semiconductor Corporation** as a result of the use of this product. No rights under any patent accompany the sale of the product

1. Features

1.1 Low on-resistance

1.1.1 $R_{DS(ON)} = 28\text{ m}\Omega$ MAX. ($V_{GS} = 4.5\text{V}$, $I_D = 4\text{A}$)

1.1.2 $R_{DS(ON)} = 37\text{ m}\Omega$ MAX. ($V_{GS} = 2.5\text{V}$, $I_D = 3\text{A}$)

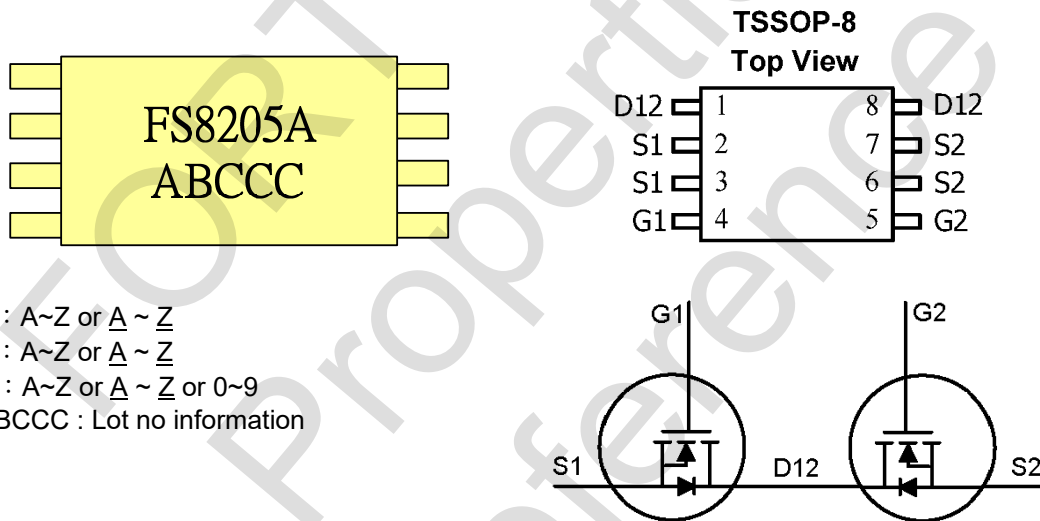
2. Applications

- Li-ion battery management applications

3. Ordering Information

Product Number	Description	Package Type	Quantity/Reel
FS8205A	TSSOP8 package version	TSSOP-8	3,000

4. Pin Assignment



5. Absolute Maximum Ratings

Symbol	Parameter	Rating	Units
VDS	Drain-Source Voltage	20	V
VGS	Gate-Source Voltage	± 12	V
ID @TA = 25°C	Continuous Drain Current3	6	A
ID @TA = 70°C	Continuous Drain Current3	5	A
IDM	Pulsed Drain Current1	25	A
PD @TA = 25°C	Total Power Dissipation	1	W
	Linear Derating Factor	0.008	W/°C
TSTG	Storage Temperature Range	-55 to 150	°C
TJ	Operating Junction Temperature Range	-55 to 150	°C

6. Thermal Data

Symbol	Parameter	Value	Unit
Rthj-a	Thermal Resistance Junction-ambient3	Max. 125	°C/W

7. Electrical Characteristics

Electrical Characteristics @T_j = 25°C (unless otherwise specified)

Symbol	Parameter	Test Conditions	Min.	Typ.	Max.	Units
Static Characteristics						
BV _{DSS}	Drain-Source Breakdown Voltage	V _{GS} = 0V, I _D = 250uA	20	-	-	V
ΔBV _{DSS} /ΔT _j	Breakdown Voltage Temperature Coefficient	Reference to 25°C, I _b =1mA	-	0.1	-	V/°C
R _{DS(ON)}	Static Drain-Source On-Resistance ²	V _{GS} = 4.5V, I _D = 4A	-	23	28	mΩ
		V _{GS} = 2.5V, I _D = 3A	-	30	37	mΩ
V _{GS(th)}	Gate Threshold Voltage	V _{DS} = V _{GS} , I _D = 250uA	0.45	-	1.2	V
I _{DSS}	Drain-Source Leakage Current (T _j = 25°C)	V _{DS} = 16V, V _{GS} = 0V	-	-	1	uA
	Drain-Source Leakage Current (T _j = 70°C)	V _{DS} = 16V, V _{GS} = 0V	-	-	25	uA
I _{GSS}	Gate-Source Leakage	V _{GS} = ±10V	-	-	±0.1	uA

8. Source-Drain Diode

Symbol	Parameter	Test Conditions	Min.	Typ.	Max.	Units
I _S	Continuous Source Current (Body Diode)	V _D = V _G = 0V, V _S = 1.2V	-	-	0.83	A
V _{SD}	Forward On Voltage ²	T _j = 25°C, I _S = 1.25A, V _{GS} = 0V	-	-	1.2	V

Notes :

1. Pulse width limited by Max. junction temperature.
2. Pulse width ≤ 300us, duty cycle ≤ 2%.
3. Surface mounted on 1 in2 copper pad of FR4 board : 208°C/W when mounted on Min. copper pad.

9. Typical Characteristics

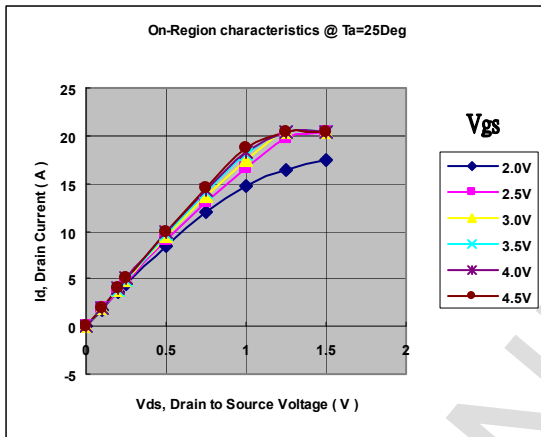


Fig 1. Typical Output Characteristics

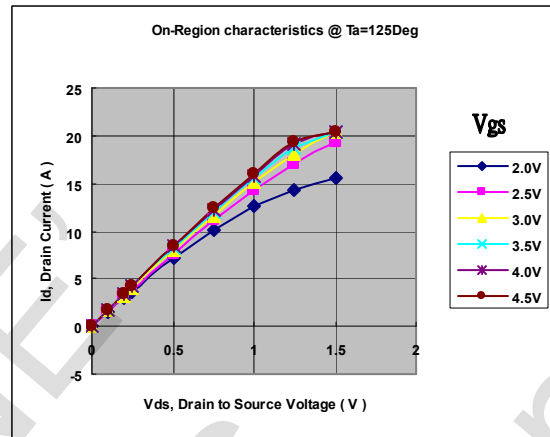


Fig 2. Typical Output Characteristics

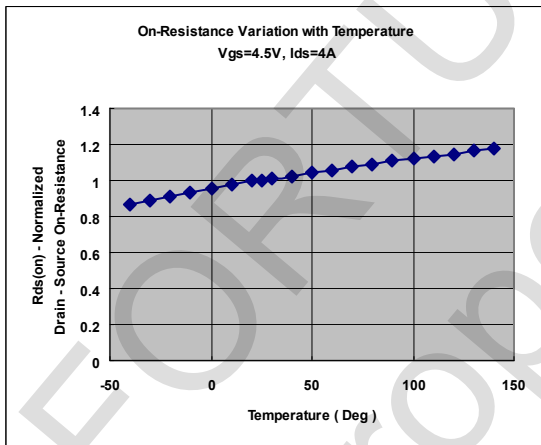


Fig 3. Normalized On-Resistance

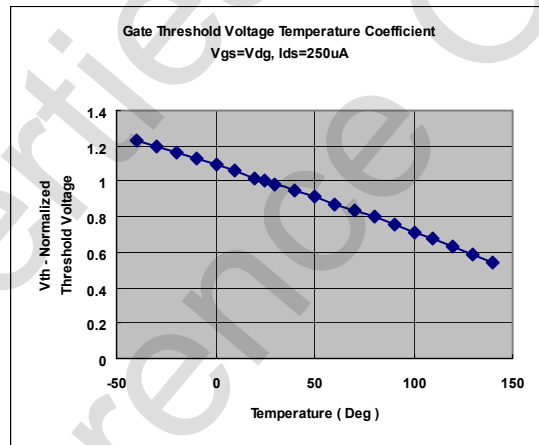


Fig 4. Gate Threshold Variation with Temperature

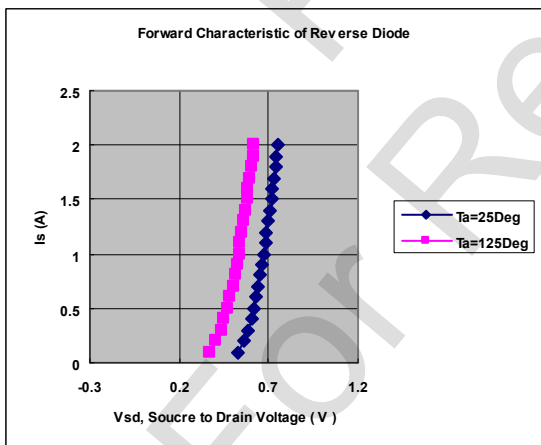
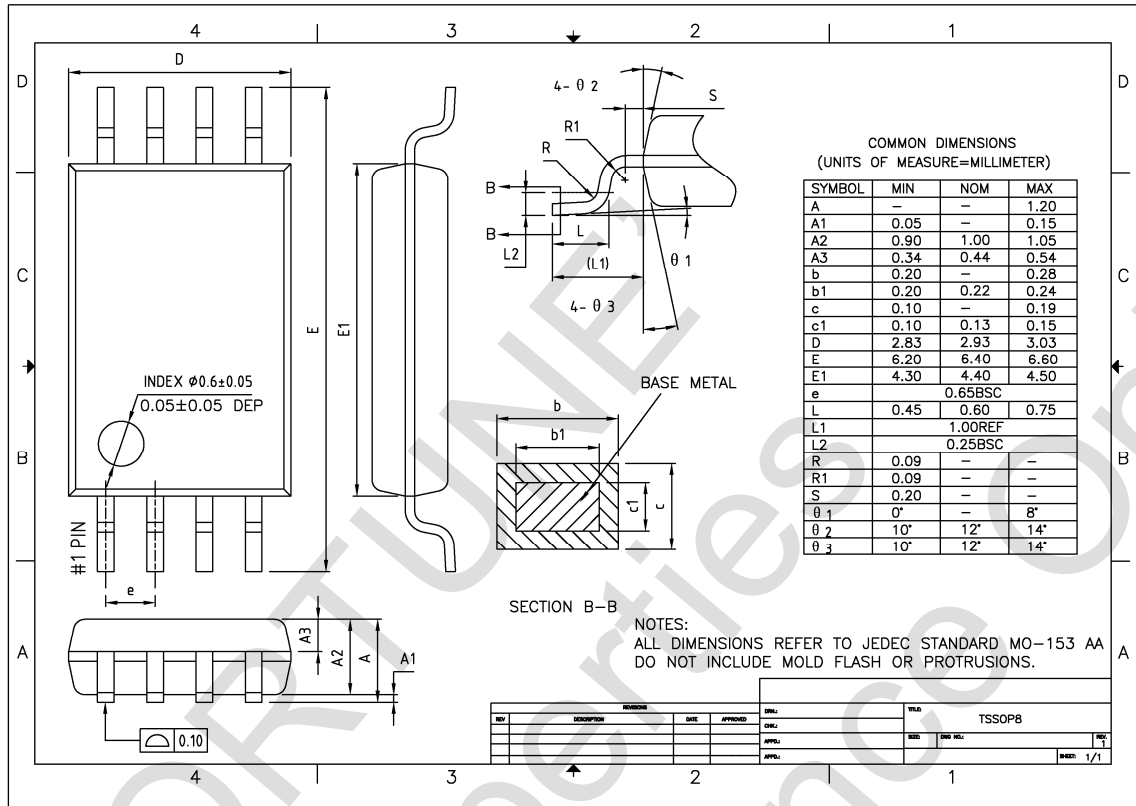


Fig 5. Forward Characteristic of Reverse Diode

10. Package Information



11. Revision History

Version	Date	Page	Description
1.0	2009/02/10	-	Version 1.0 released
1.1	2009/04/28	3~4	Rds25 TYP 25mohm MAX 32mohm Rds45 TYP 20mohm MAX 25mohm ID @TA = 25°C 6A ID @TA = 70°C 5A ID pulse 300 μS 25A
1.2	2009/08/04	3~4	Rds25 TYP 27mohm MAX 35mohm Rds45 TYP 21mohm MAX 25mohm Rds25 ID : 3A Rds45 ID : 4A
1.3	2010/06/02	3~4	Rds45 TYP 22mohm MAX 27mohm
1.4	2010/06/10	4	IDSS Test Conditions : VDS=16V VGS=0V
1.5	2011/04/27	4	Rds25 TYP : 30mohm MAX : 37mohm Rds45 TYP : 23mohm MAX : 28mohm VGS(th) MIN : 0.45V MAX : 1.2V IGSS MAX : ±0.1uA
1.6	2014/05/22	2	Revised company address
1.7	2016/08/22	3	Revise Package Marking Information